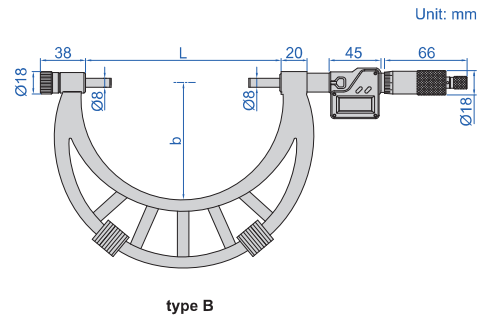
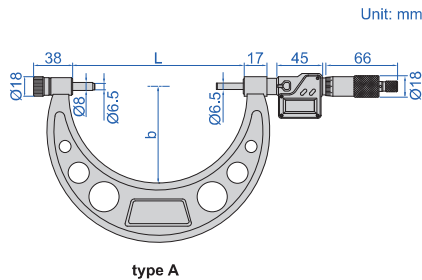
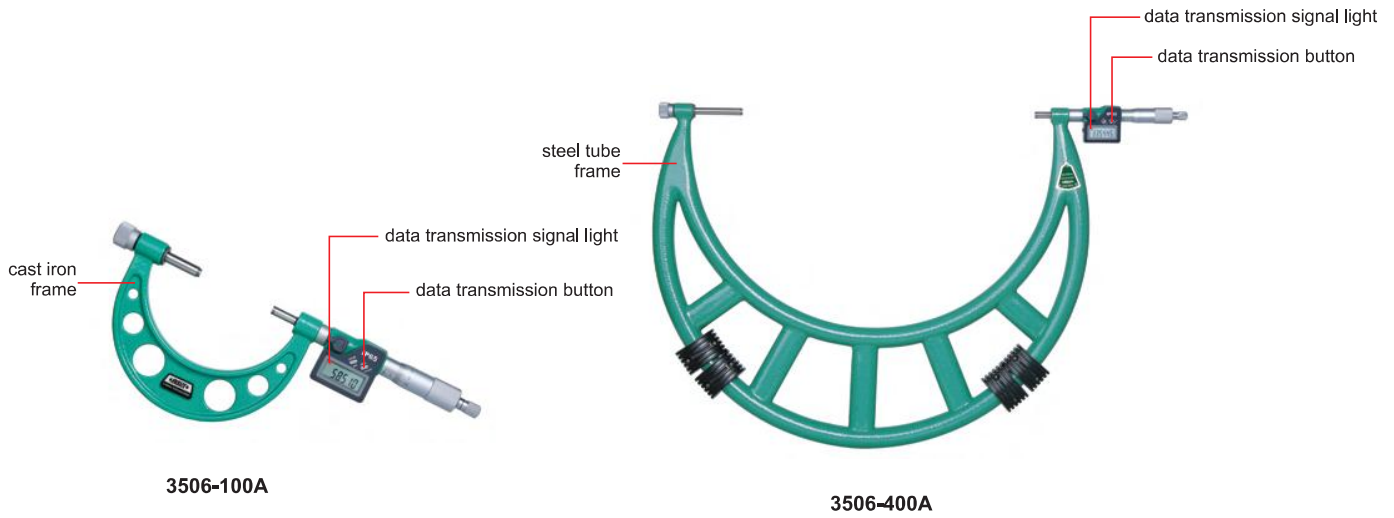


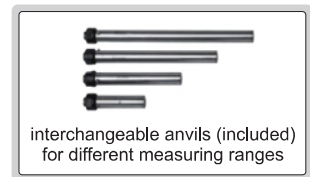
DIGITAL OUTSIDE MICROMETERS WITH INTERCHANGEABLE ANVILS

IP65
WATERPROOF

DATA
OUTPUT



- Resolution 0.001mm/0.0001" (resolution of 3506-100A/100AWL and 3506-150A/150AWL is 0.001mm/0.00005")
- IP65 dust/waterproof
- Button function: on/off, set, mm/inch, data transmit
- Data output
- Automatic power off
- Ratchet stop
- Carbide measuring faces
- Supplied with setting standards
- Power:
 - with data interface: CR2032
 - built-in wireless: rechargeable lithium battery



With data interface (data output cable code 7315-31 and receiver is required page 4, 7302-31 page 12, optional) (mm)

| Code | Range | Type | Accuracy | L | b | Setting standard (included) |
|------------|-------------------|------|----------|------|-----|------------------------------|
| 3506-100A | 0-100mm/0-4" | A | ±5µm | 105 | 57 | 25, 50, 75 |
| 3506-150A | 0-150mm/0-6" | A | ±6µm | 155 | 82 | 25, 50, 75, 100, 125 |
| 3506-300A | 150-300mm/6-12" | A | ±8µm | 305 | 165 | 150, 175, 200, 225, 250, 275 |
| 3506-301A | 200-300mm/8-12" | A | ±8µm | 305 | 165 | 200, 225, 250, 275 |
| 3506-400A | 300-400mm/12-16" | B | ±9µm | 405 | 224 | 325, 375 |
| 3506-500A | 400-500mm/16-20" | B | ±11µm | 505 | 275 | 425, 475 |
| 3506-600A | 500-600mm/20-24" | B | ±12µm | 605 | 321 | 525, 575 |
| 3506-700A | 600-700mm/24-28" | B | ±13µm | 705 | 371 | 625, 675 |
| 3506-800A | 700-800mm/28-32" | B | ±15µm | 805 | 426 | 725, 775 |
| 3506-900A | 800-900mm/32-36" | B | ±16µm | 905 | 476 | 825, 875 |
| 3506-1000A | 900-1000mm/36-40" | B | ±17µm | 1005 | 576 | 925, 975 |

Built-in wireless (receiver code 7315-2/3/6/7/8/9 is required)

| Code |
|-------------|
| 3506-□□□□WL |

Code examples:

| Original code | Wireless code |
|---------------|---------------|
| 3506-100A | 3506-100AWL |
| 3506-150A | 3506-150AWL |